

## *Production range*



# **MEGADYNE**

**P.U. MEGAPOWER**

**P.U. MEGALINEAR**

**P.U. MEGAFLEX**

**P.U. MEGARIB**

**P.U. MEGAFLAT**

**RUBBER TIMING BELTS**

**RUBBER Poly-V BELTS**

**RUBBER V- BELTS**

**RUBBER MEGAFLAT**

**SPECIAL COATED BELTS**

**SPECIAL PROFILES**

**STANDARD PULLEYS**

**SPECIAL PULLEYS**

**PU ENDLESS MOULDED TIMING BELTS**

**PU OPENEND EXTRUDED TIMING BELTS**

**PU ENDLESS EXTRUDED TIMING BELTS, ANY SPECIAL LENGTH ON REQUEST**

**PU ENDLESS MOULDED MULTIRIB BELTS**

**PU ENDLESS FLAT BELTS**

**CLASSICAL AND PARABOLIC PROFILES**

**RUBBER ENDLESS MULTIRIB BELTS**

**AVAILABLE STANDARD AND COGGED**

**RUBBER ENDLESS FLAT BELTS**


**ANY MATERIALS ENDLESS COATED BELTS**

**ANY SPECIAL PITCH OR BACK PROFILE CUSTOM MADE**

**AVAILABLE IN ANY PITCH AND MATERIAL**

**AVAILABLE IN ANY PITCH AND MATERIAL, FOLLOWING CUSTOMER DESIGN**

# Megadyne against other Manufacturers

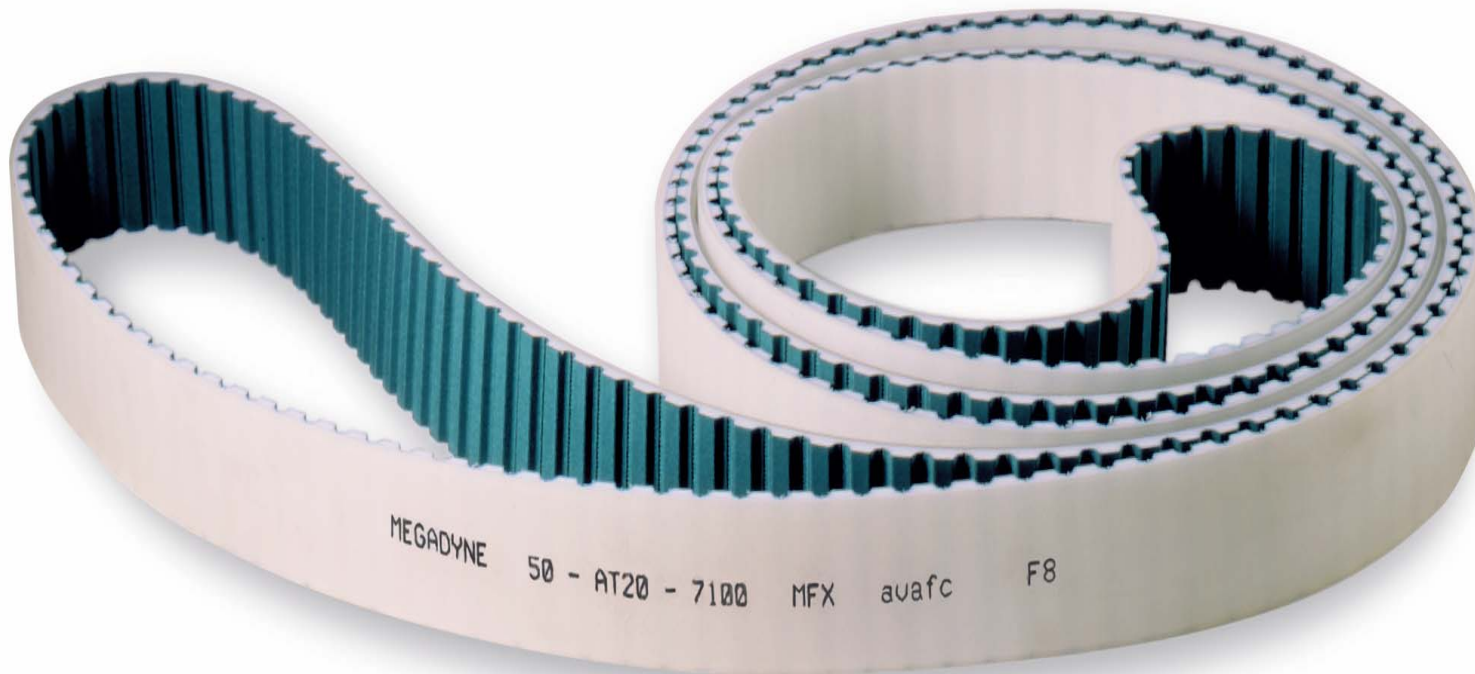
COMPANY NAME	MOULDED Belts	LINEAR OPEN or JOINED Extruded Belts	TRULY ENDLESS Extruded Belts	RUBBER Belts	PULLEYS
 <b>MEGADYNE</b>	○	○	○	○	○
<b>BRECO</b>	-	○	○	-	-
<b>MULCO</b>	○	-	-	-	-
<b>CONTI</b>	-	○	-	○	-
<b>BANDO</b>	○	○	-	○	-
<b>MECTROL</b>	○	○	-	-	-
<b>NSW</b>	-	○	○	-	-
<b>MBL/OPTI</b>	○	-	-	○	-
<b>GATES</b>	-	-	-	○	-
<b>GOODYEAR</b>	-	-	-	○	-
<b>SIT</b>	-	-	-	-	○
<b>IPL</b>	-	-	-	-	○
<b>POGGI</b>	-	-	-	-	○
<b>CHIARAVALLI</b>	-	-	-	-	○

## *Megapower PU endless timing belts*



Single or double sided truly endless moulded belts,  
available until 2250 mm in length.

## *Megaflex PU endless timing belts*



Single or double sided truly endless extruded belts,  
available from 1500 mm until 22770 mm in length.

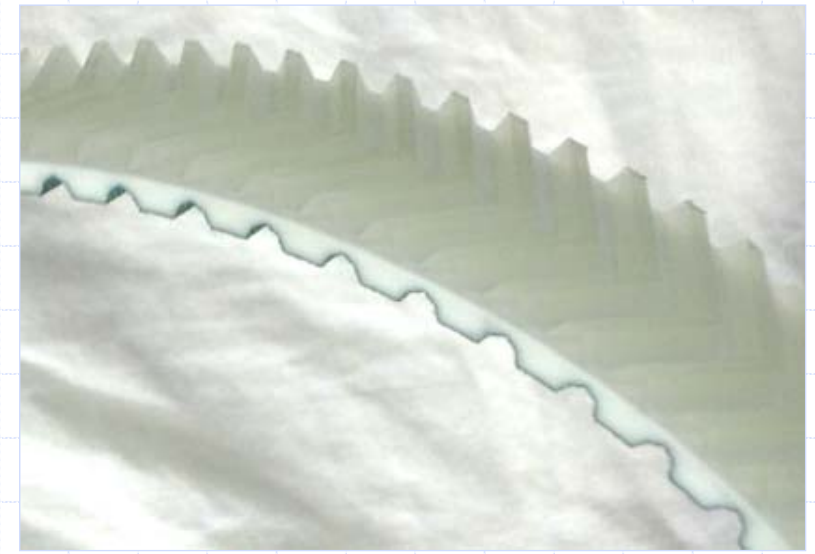


## *Megalinear PU timing belts*



Linear extruded belts, available in “open end” or “joined” version, with or without coating.

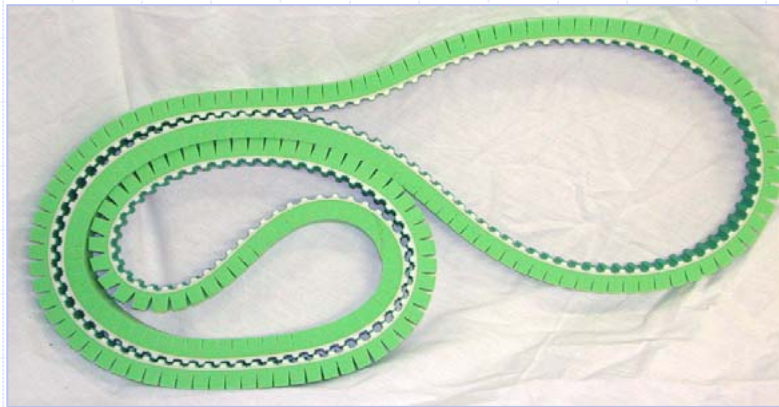
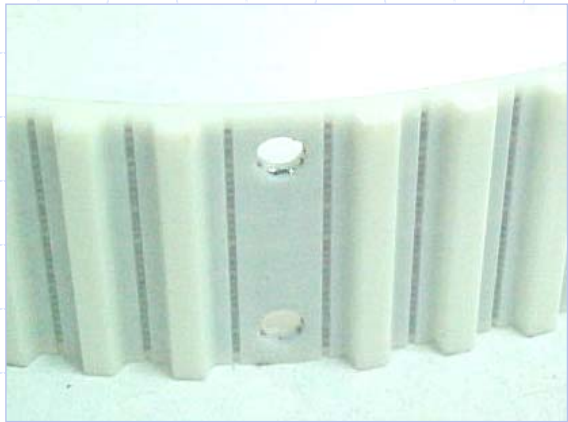
## *Coated belts*



Different kind of coating material (foamed or vulcanised P.U., natural or sintetic rubber, silicon) available on extruded or moulded belts

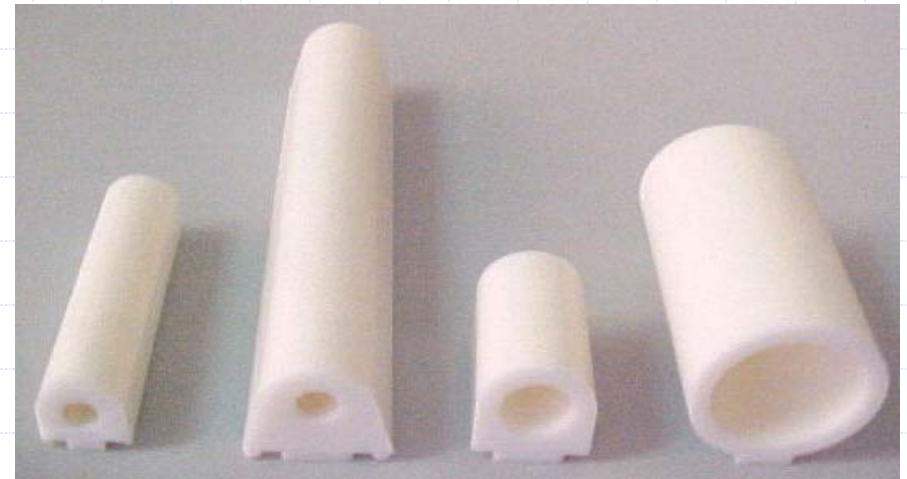
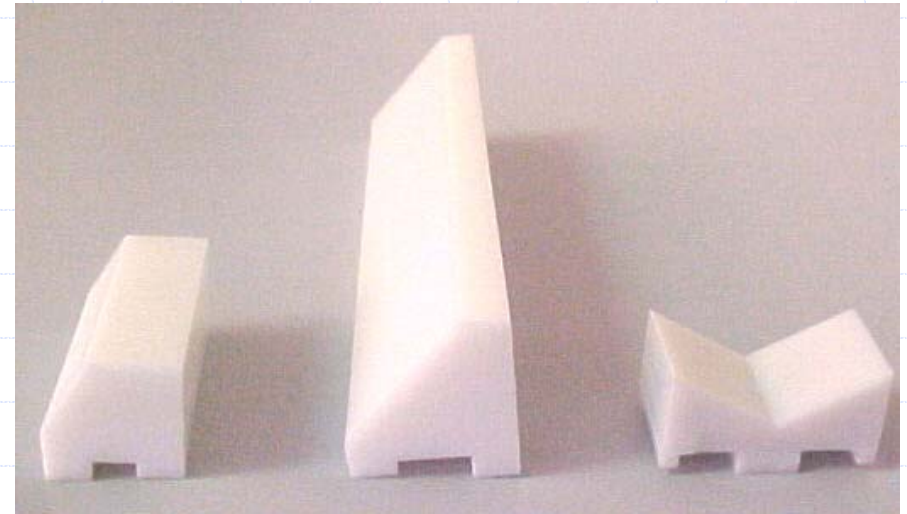
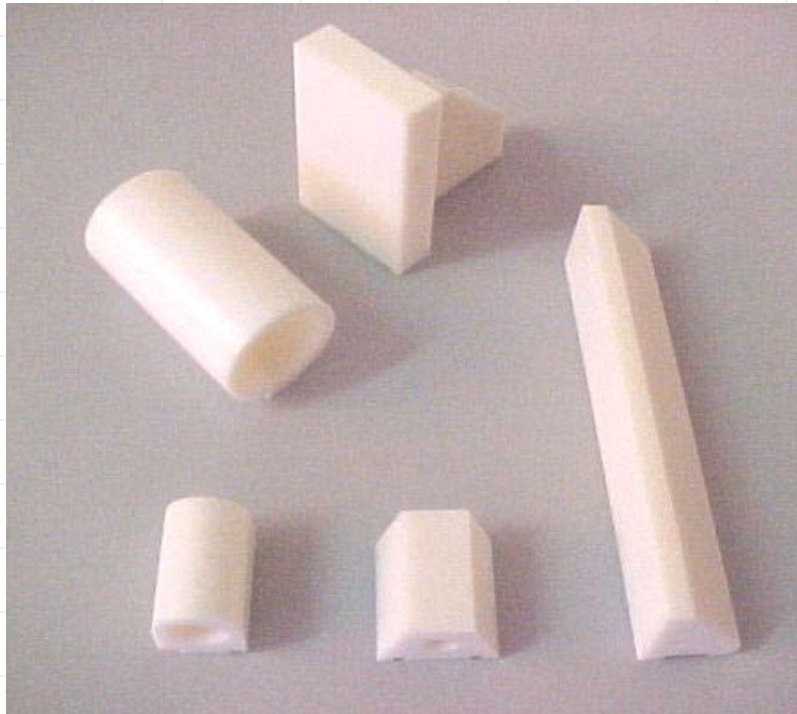


## *Special Belts, following customer design*



Special moulded or reworked belts, available also with coating

## *Special Cleated Belts, following customer design*



Special belts can be fitted with standard parallelepiped or moulded cleats.



## *Megaflat PU and rubber endless flat belts*



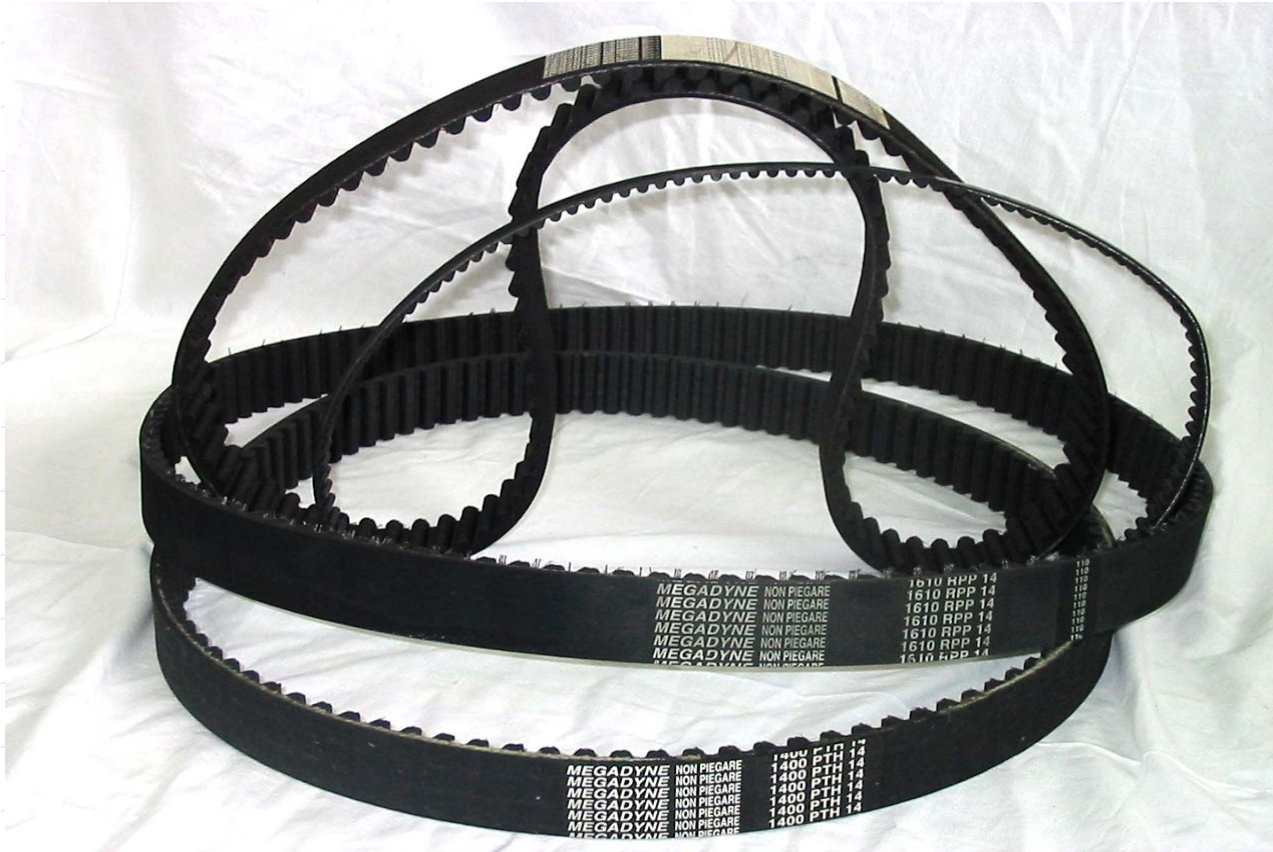
Flatbelts available in different material (rubber, silicon, P.U.) and in different thickness, starting to 200 mm long.

## *Megarib PU multirib belts*



Poly-V moulded belts, available with H ribs, TB2 ribs, J ribs, until 1397 mm in length, with rigid (polyester) or elastic (polyammde) cords.

## *Megarubber timing belts*



Existing in single or double sided version, in Imperial or Rpp pitches.



## *Custom made pulleys*



Special pulleys available, made from customer design, available in aluminium, steel or cast iron, with or without steel flanges and surface treatment.

## ***MEGALINEAR OPEN-END Applications***

1. **Automatic sliding doors:**
  - Lift doors
  - Trains doors
  - Buildings doors
2. **Automatic garage doors**
3. **Linear actuators**
4. **Encoder positioning systems**
5. **Robots systems**
6. **Vertical displacements**
7. **Handling systems for Warehouses**
8. **Cutting tables**
9. **Plotters**
10. **Serigraphic printing tables**
11. **Car washing machines**
12. **Linear knitting machines**
13. **Printing machines**
14. **Automatic packaging and pallets transport machines**
15. **Outside curtains**

# ***MEGALINEAR JOINED Applications***

1. **Conveyors systems:**
  - Airport
  - Glass industry
  - Ceramic industry
  - Stone & Marble industry
  - Food industry
  - Paper & Carton industry
  - Tobacco industry
  - Wood industry
  - Chemist & Pharmaceutical industry
  - Packaging industry
  - Postal systems
  - Bosch systems
2. **Circular Knitting machines**
3. **Paint mixer machines**
4. **Steel plate machines**
5. **Textile industry**
6. **Hand equipments**



# Linear Unit

Sistema completamente chiuso con guarnizioni lineari longitudinali e spazzole di testa

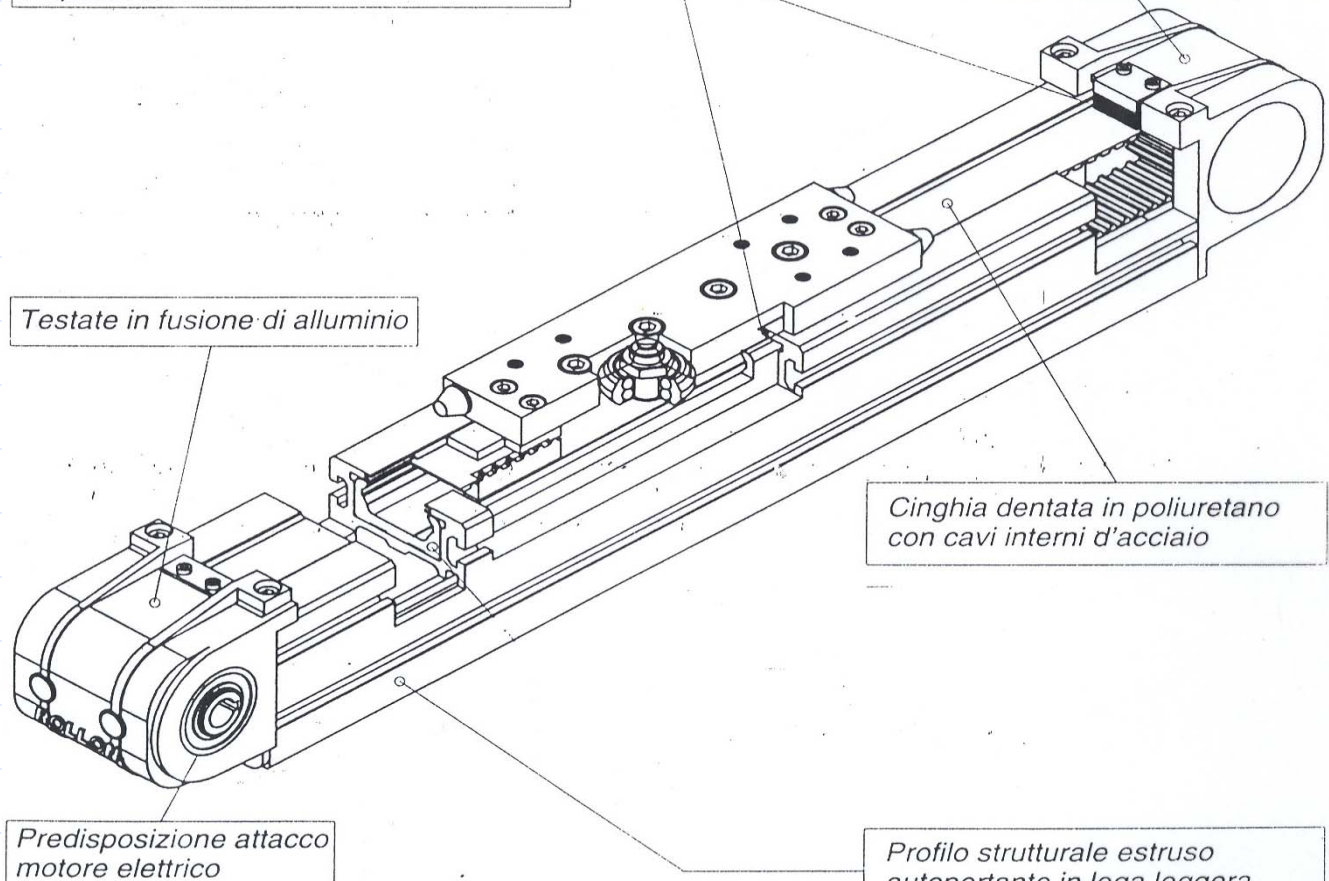
Sistema di tensionamento delle cinghie integrato nella testata di rinvio

Testate in fusione di alluminio

Cinghia dentata in poliuretano con cavi interni d'acciaio

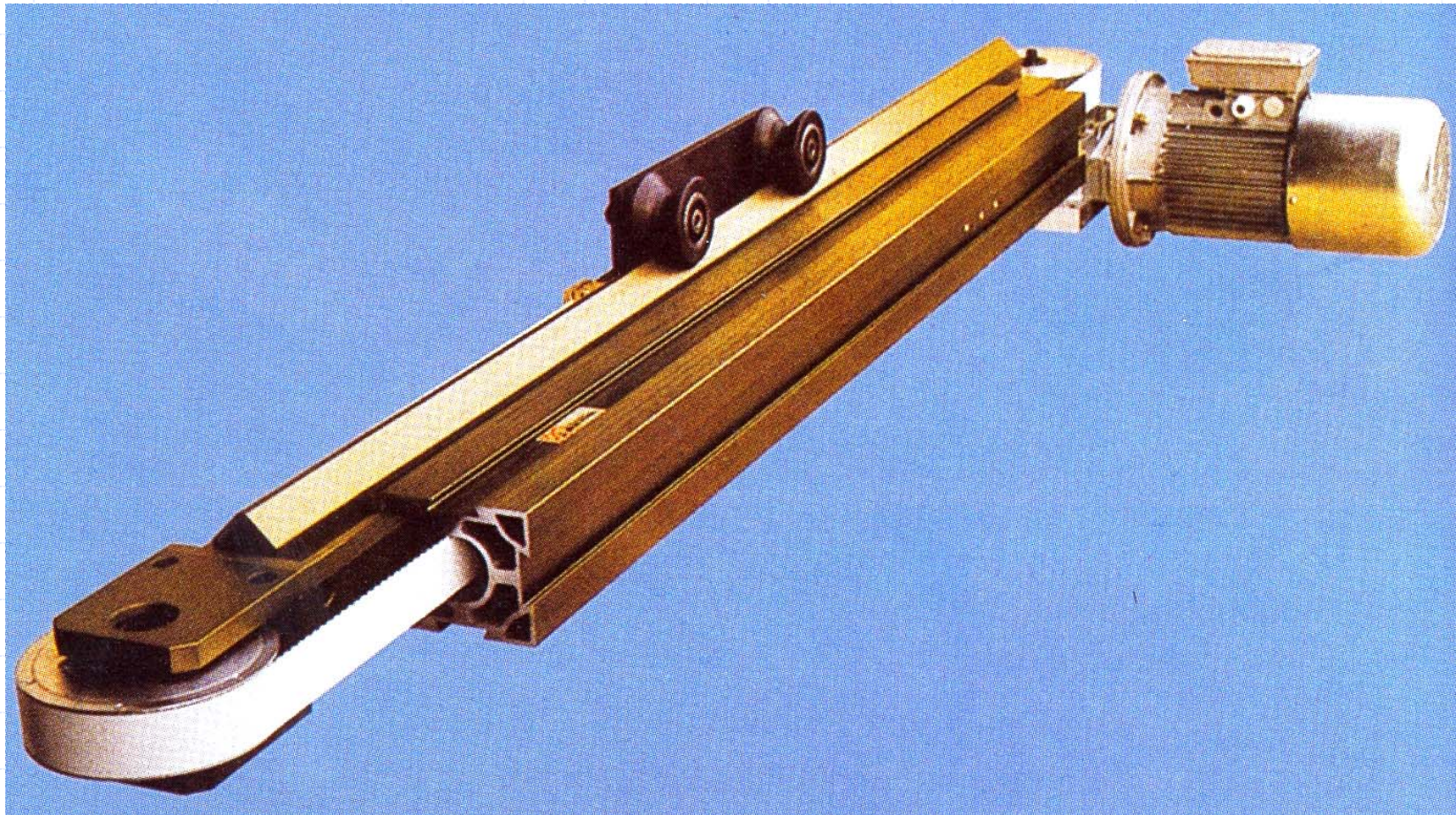
Predisposizione attacco motore elettrico

Profilo strutturale estruso autoportante in lega leggera



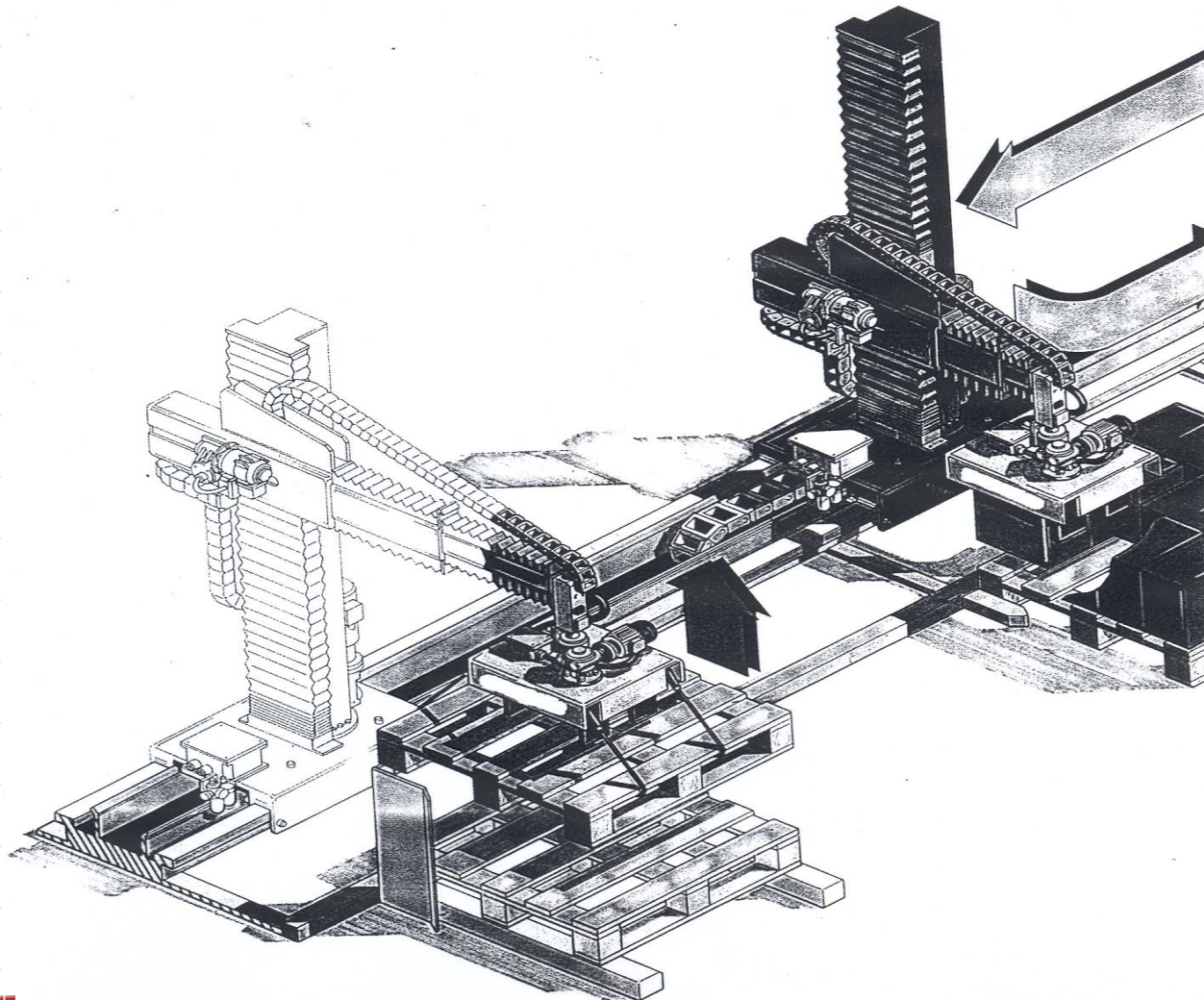


## *Linear Actuator*





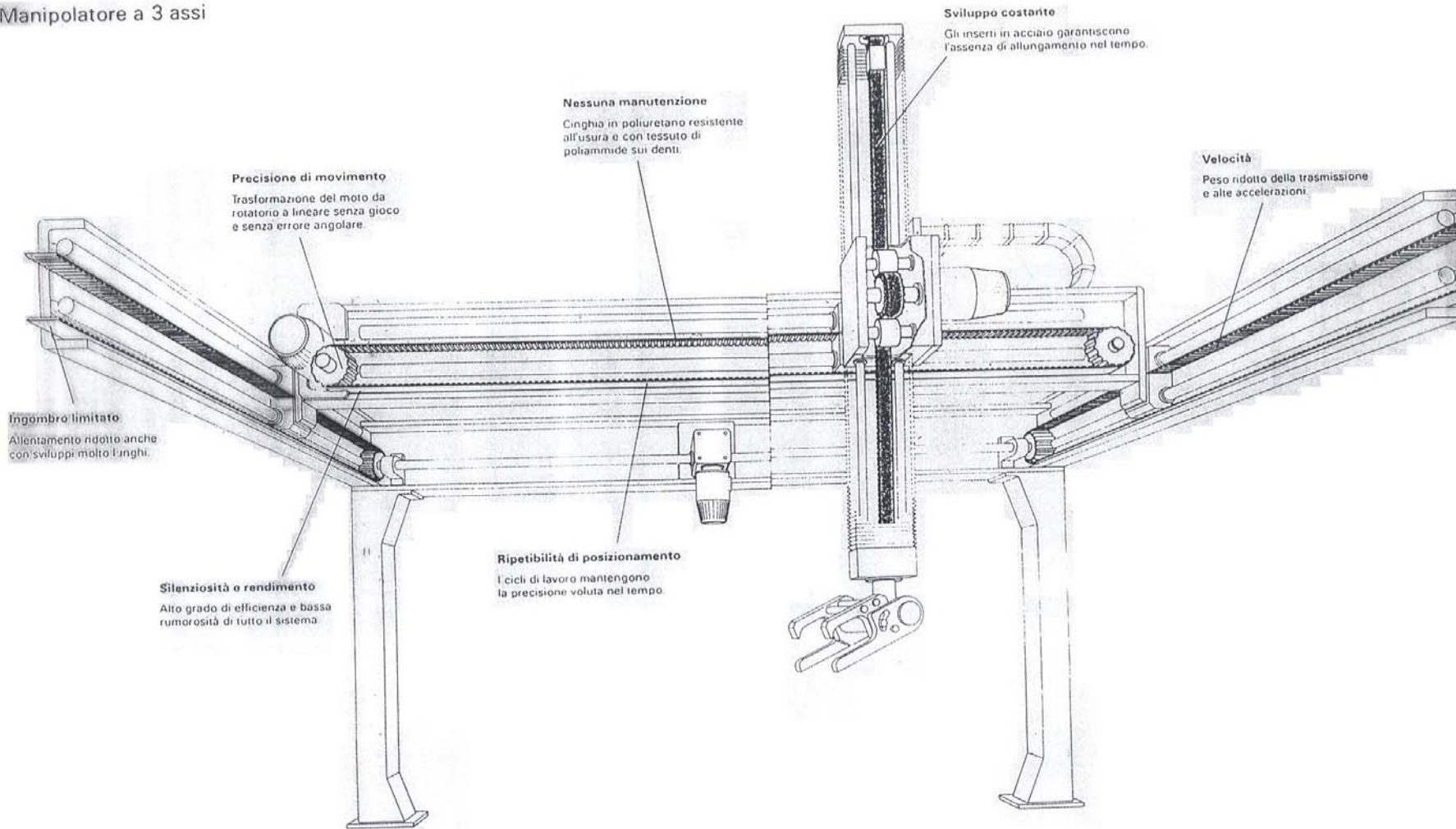
# *Palletizer Robot*





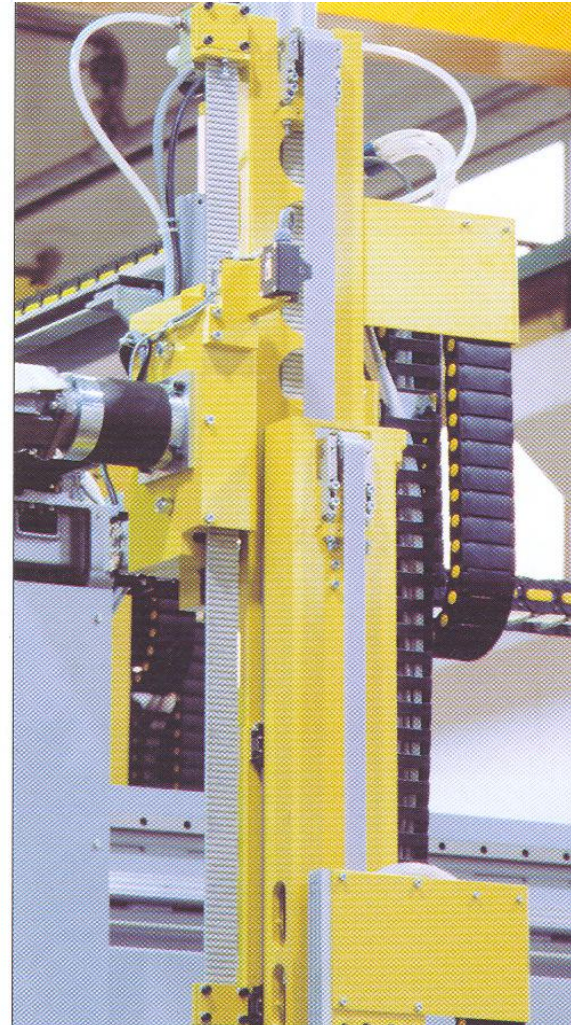
# 3 Axis Handling Robot

Manipolatore a 3 assi

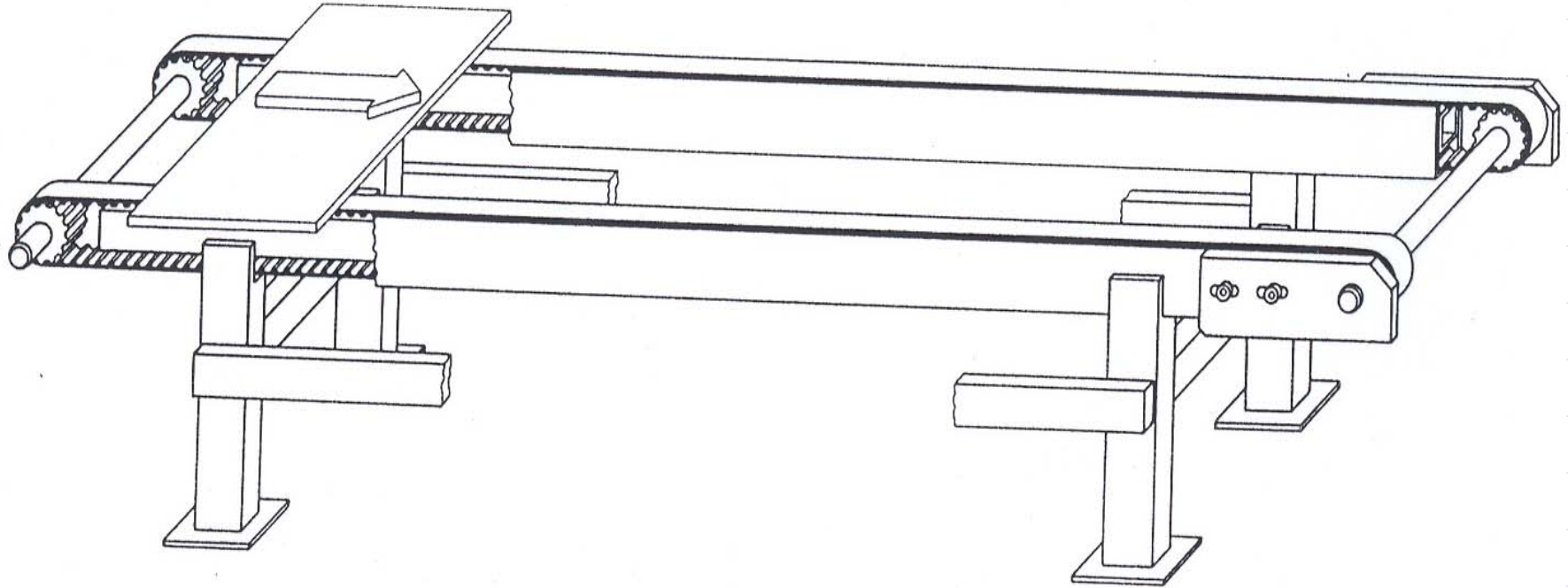




## *3 Axis Handling Robot*

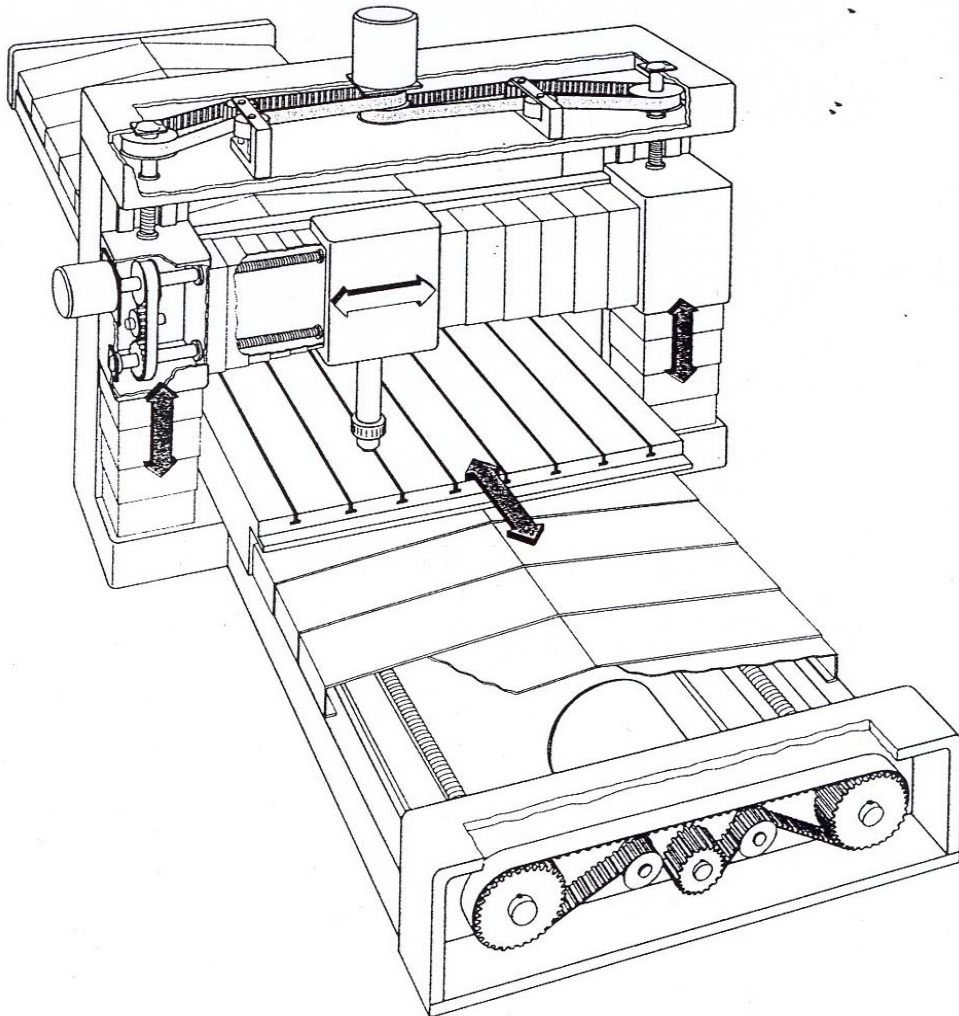


## *Linear Translator*

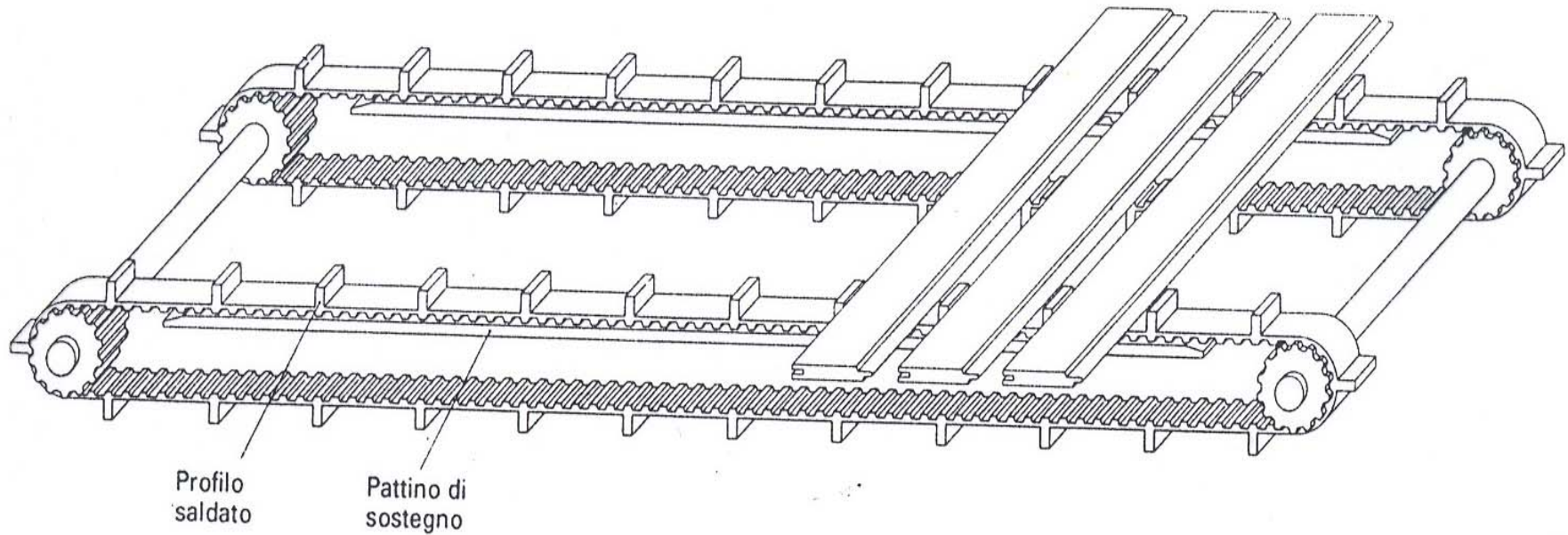




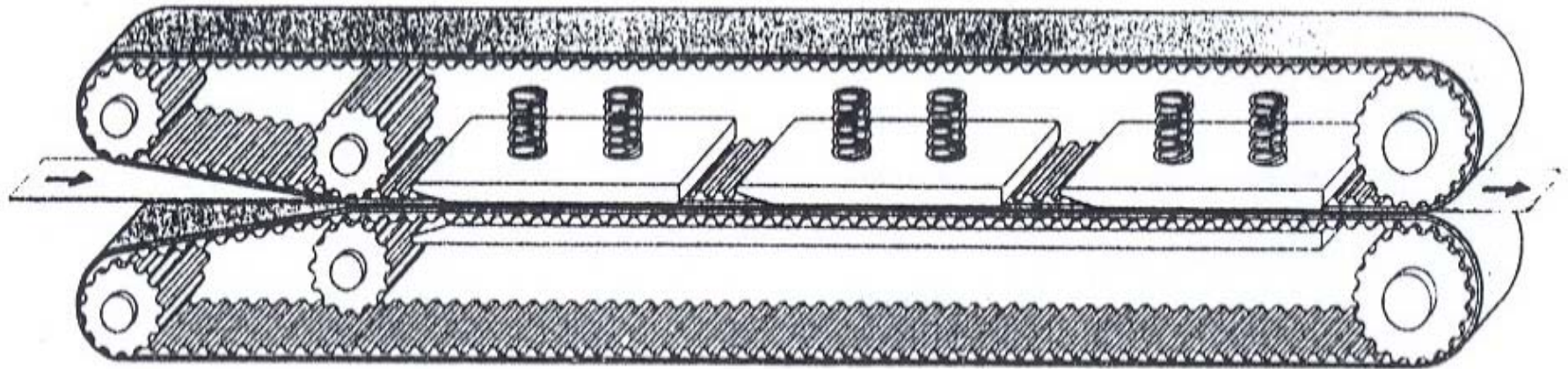
## *High Precision Power transmission*



## *Linear Translator with Cleated Belts*

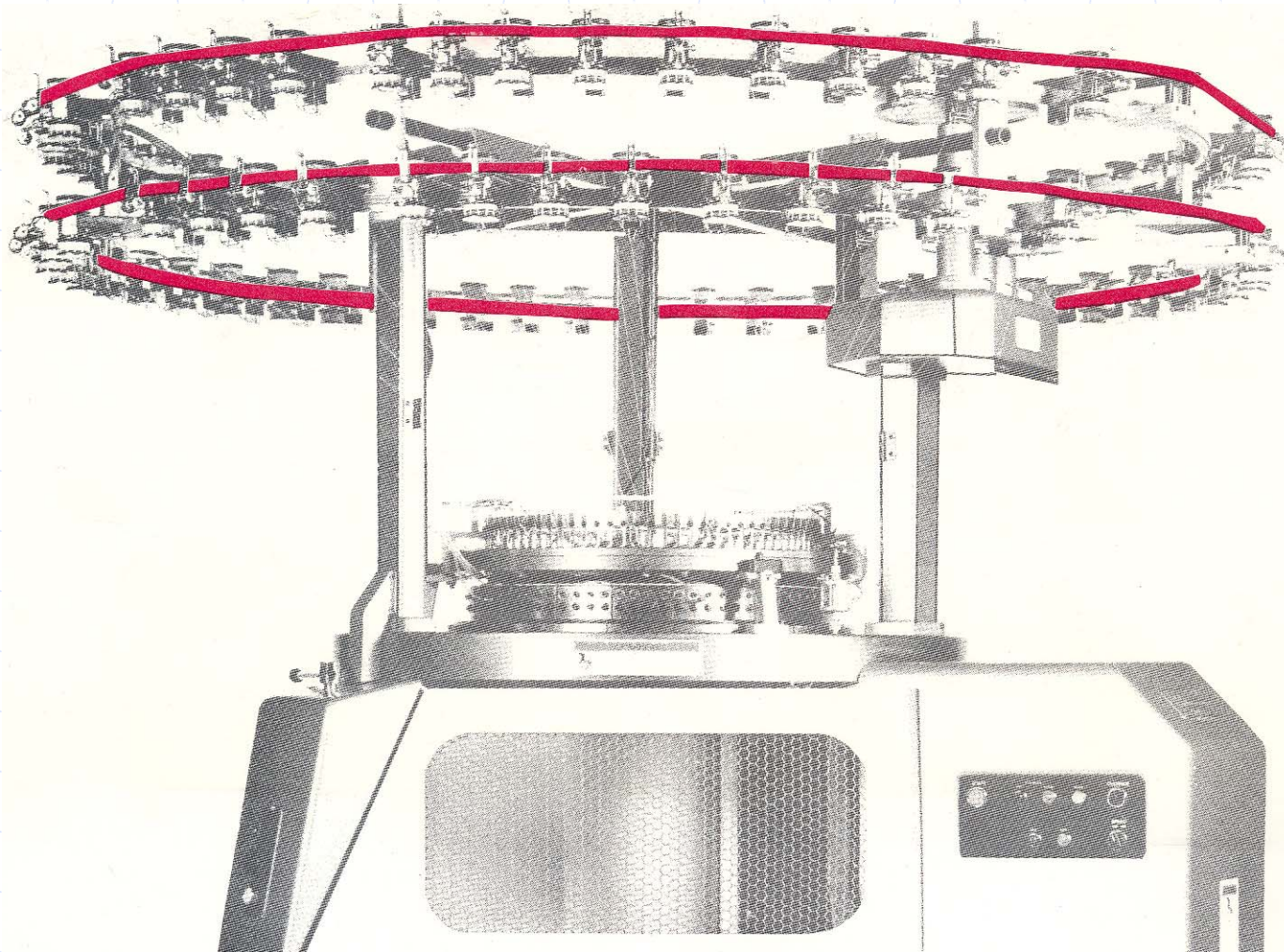


## *Transport System by friction*



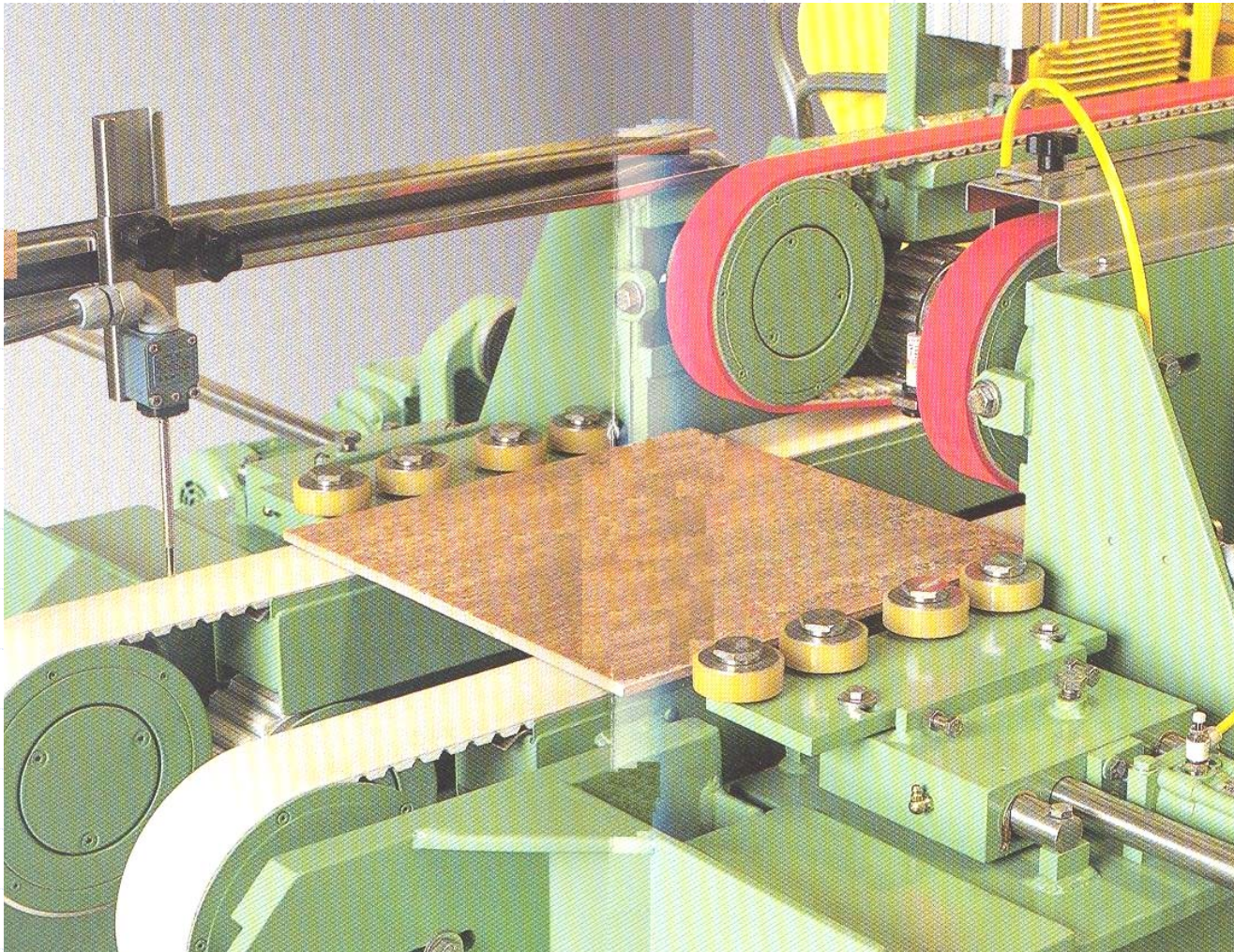


# *Knitting Textile Machine*



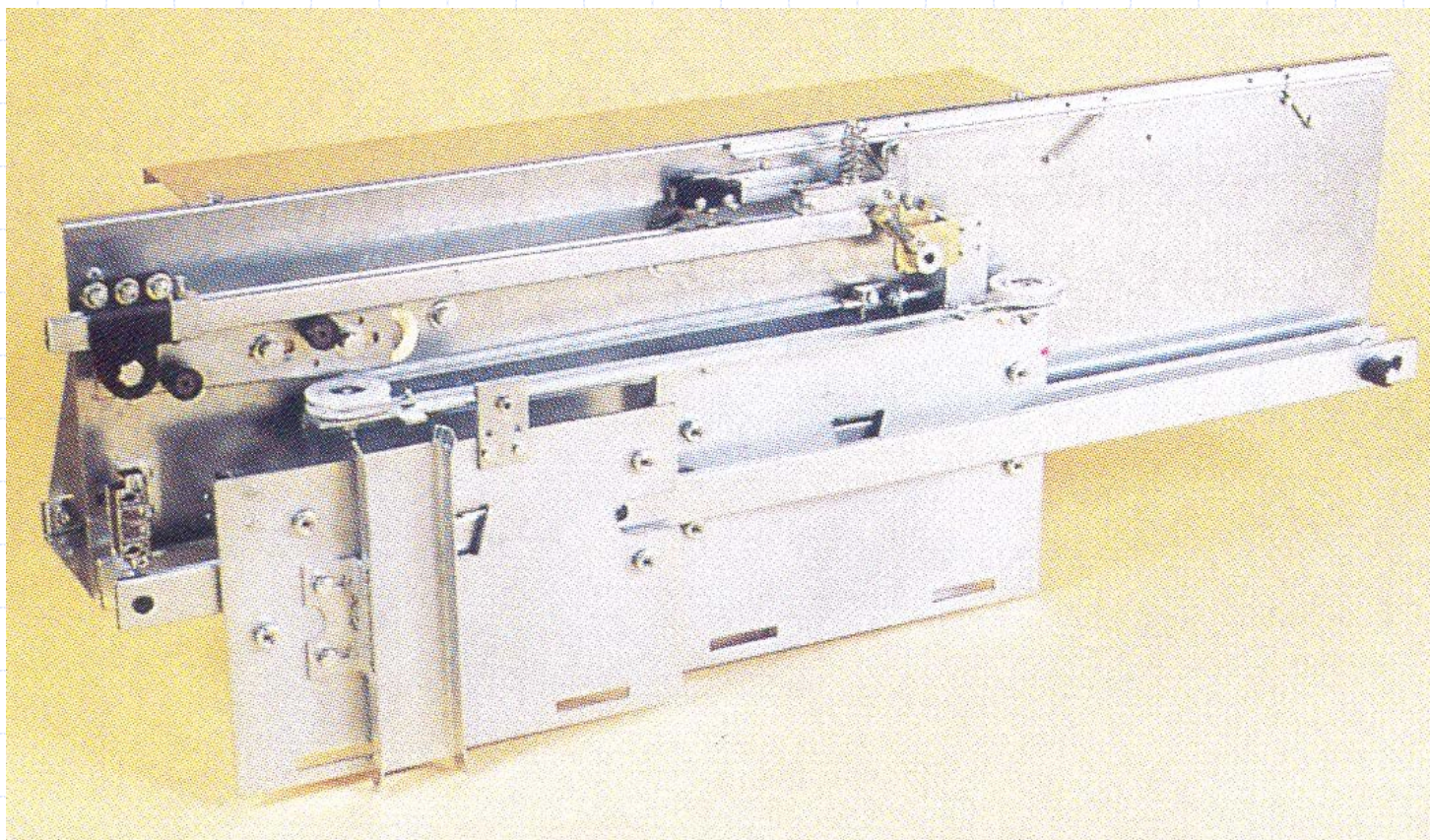


## *Serigraphic Machine*

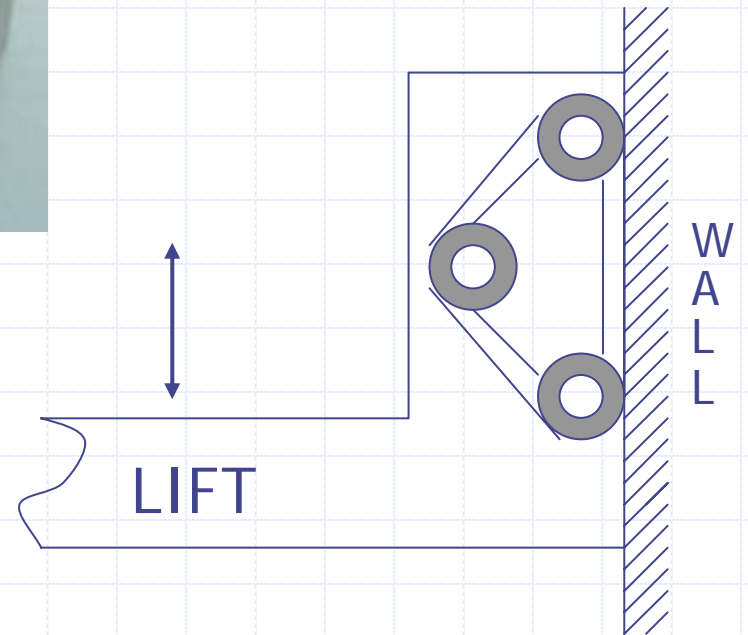




## *Automatic doors operator*



## *Lift Tracking belt*





## *Cement Mixer*

Poly-V belt



## *Printing machines for serigraphic industry*



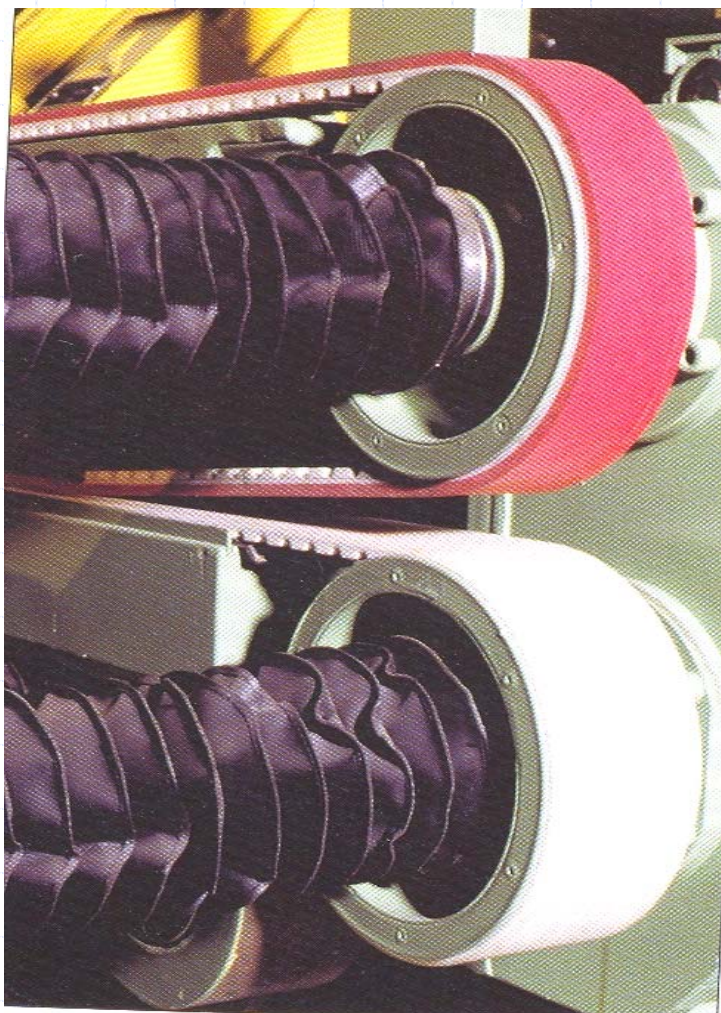


## *Automatic Garage doors*

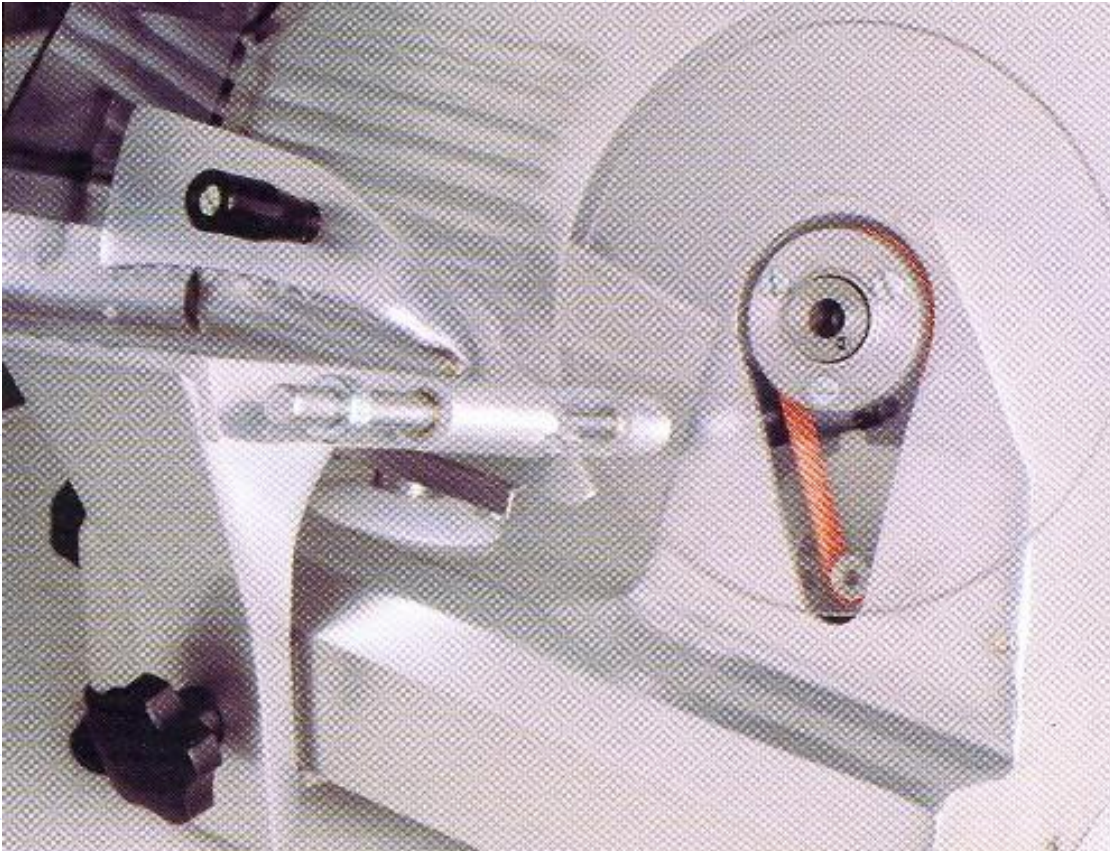




## *Serigraphic Machine*

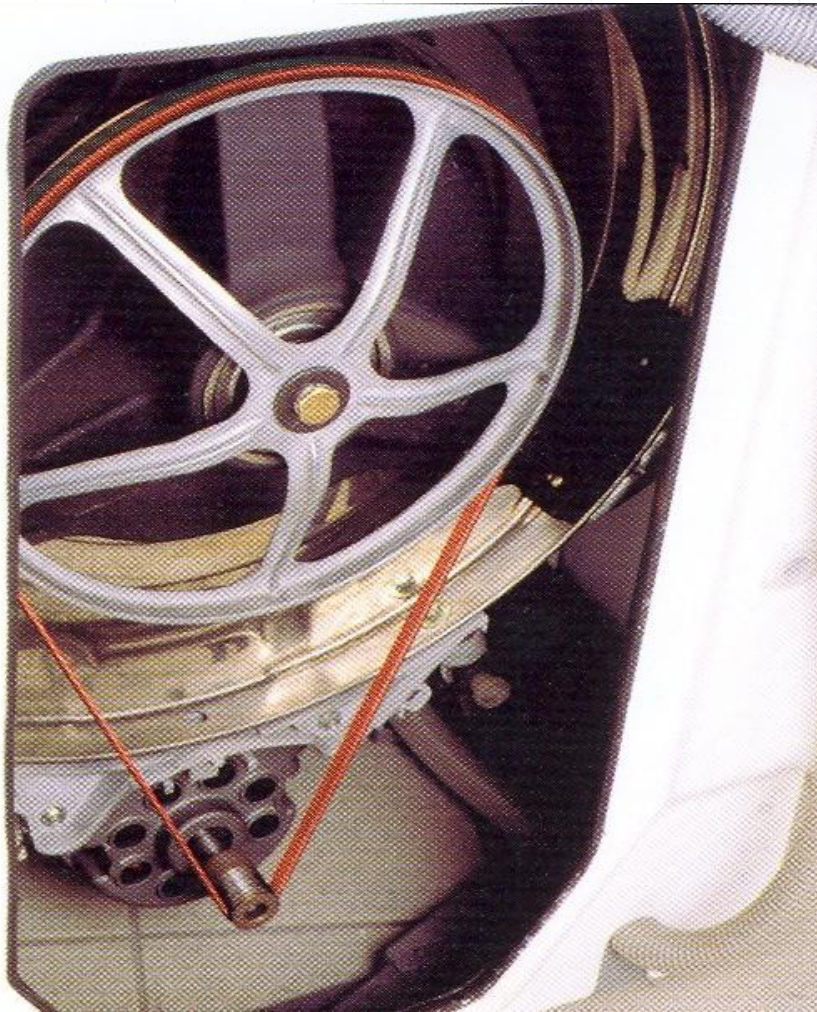


## *Slicer Machine*



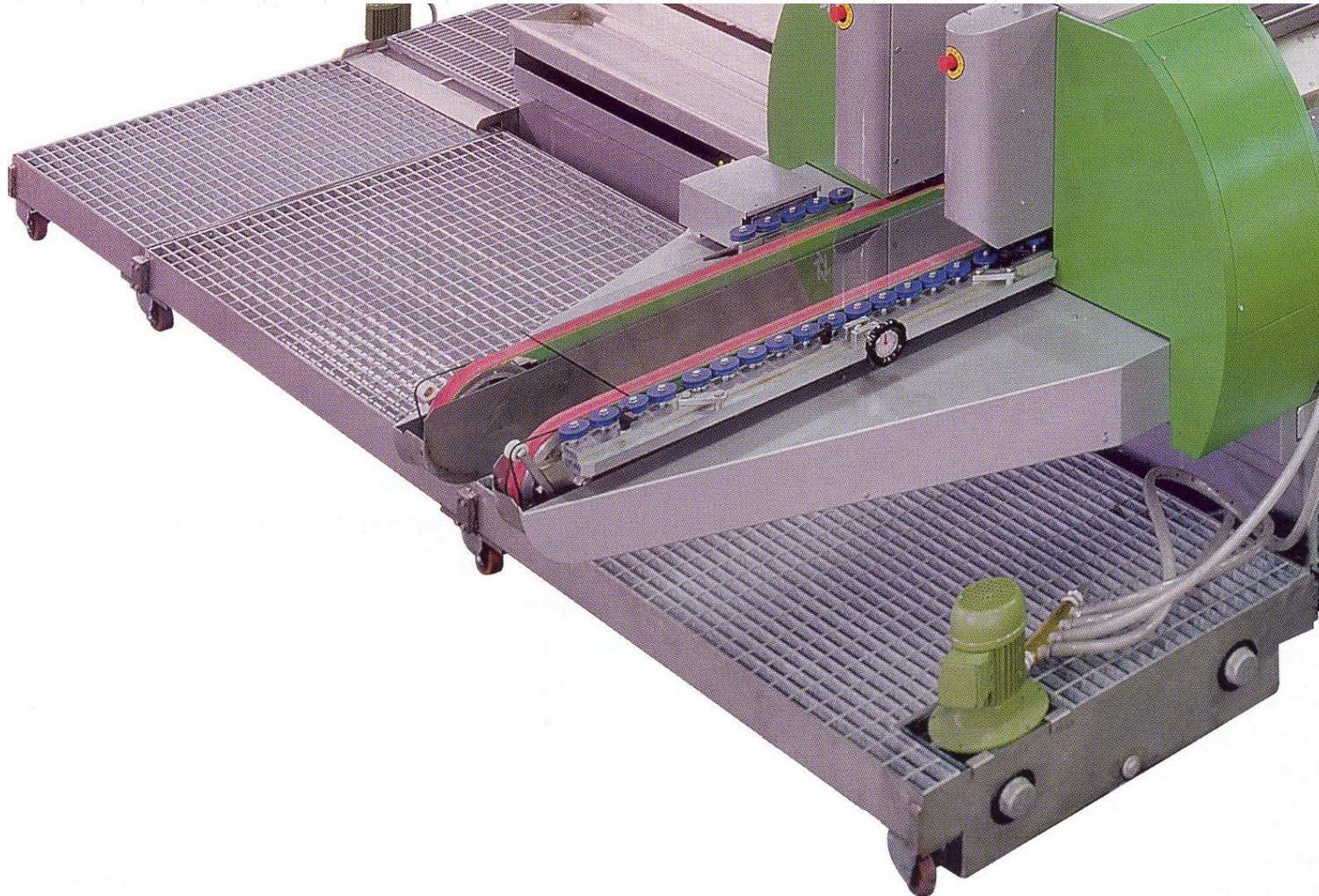


## *Washing Machine*





## *Glass Industry Machines*





# *Glass Industry Machine*

